

PS 1/2 C

PISA Tap Range Pisa Basin Taps Chrome



Specification	
Style:	Contemporary
Product Type:	Bathroom taps
Finish/Colour:	Chrome
Main Construction Material:	Brass
Mount Type:	Deck
Handle Type:	Paddle
Connection Inlet:	1/2" BSP
Number of Tap Holes Required:	2
Valve/Cartridge Type:	1/2" Ceramic Disc Valve
Plumbing System Suitability	All
Working Pressure Range:	Min 0.2 bar - Max 5 bar
Maximum Hot Water Temperature: °c	65
Maximum Dynamic Pressure: (bar)	5
Maximum Static Pressure: (bar)	10
Flow Type:	Single Flow
Flow Rate: (l/min @ 3 bar)	28
Connection Outlet:	Open
Isolation Included:	No

Features:

- Supplied with metal backnuts
- Supplied with metal handles
- Chrome plated to BS EN 248

Product Certifications:

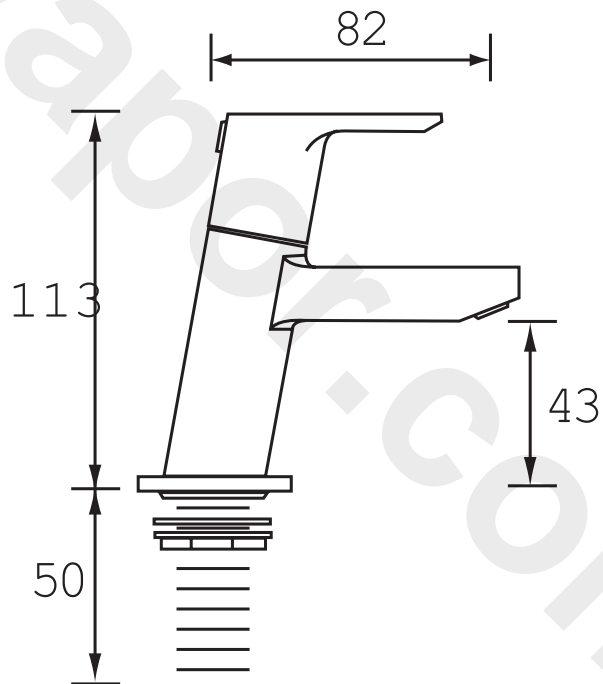
WRAS Certificate No: 1607001
WRAS Expiry Data: 31/07/2021



For more products, visit our website:



Dimensions (measurements in mm)



Flow Rates (l/min)

System Pressure (bar)	0.2	0.5	1	2	3	5
PS 1/2 C	7.3	11.6	15.7	22.7	28	35.8

TECHNICAL
DATA
SHEET



BRISTAN
TAPS & SHOWERS

D7